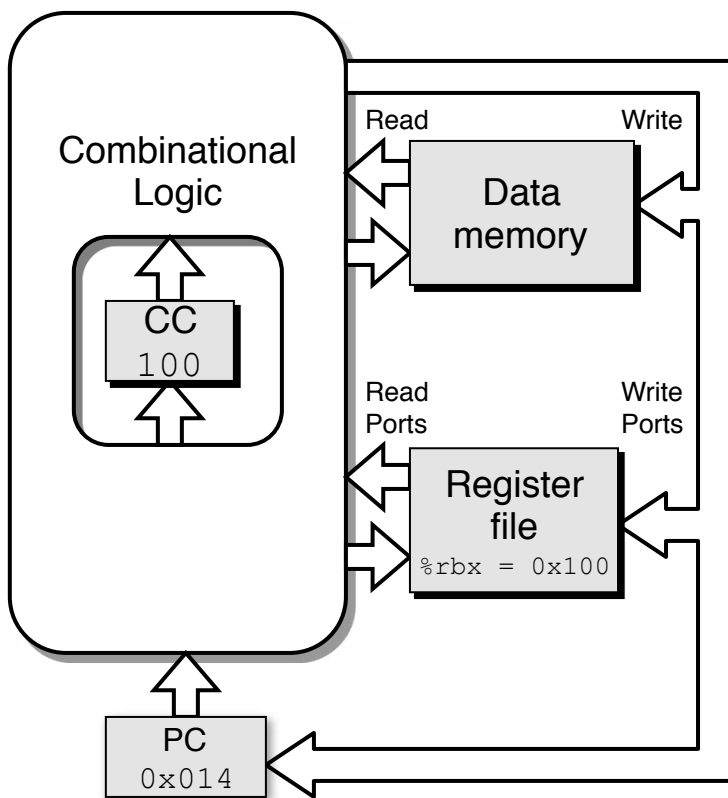
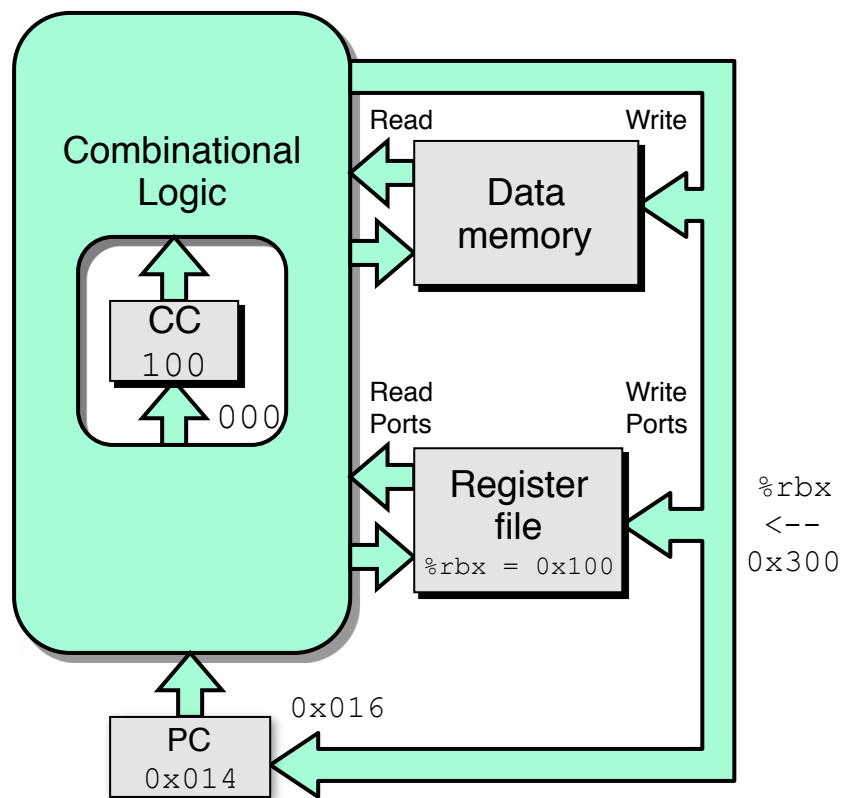


Cycle 1:	0x000:	irmovq \$0x100,%rbx	# %rbx <-- 0x100
Cycle 2:	0x00a:	irmovq \$0x200,%rdx	# %rdx <-- 0x200
Cycle 3:	0x014:	addq %rdx,%rbx	# %rbx <-- 0x300 CC <-- 000
Cycle 4:	0x016:	je dest	# Not taken
Cycle 5:	0x01f:	rmmovq %rbx,0(%rdx)	# M[0x200] <-- 0x300

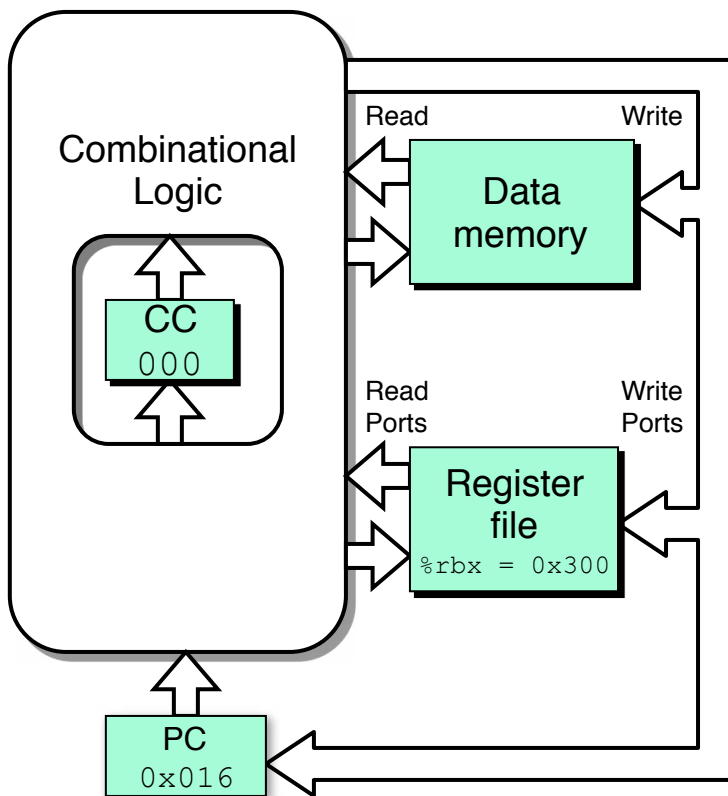
① Beginning of cycle 3



② End of cycle 3



③ Beginning of cycle 4



④ End of cycle 4

