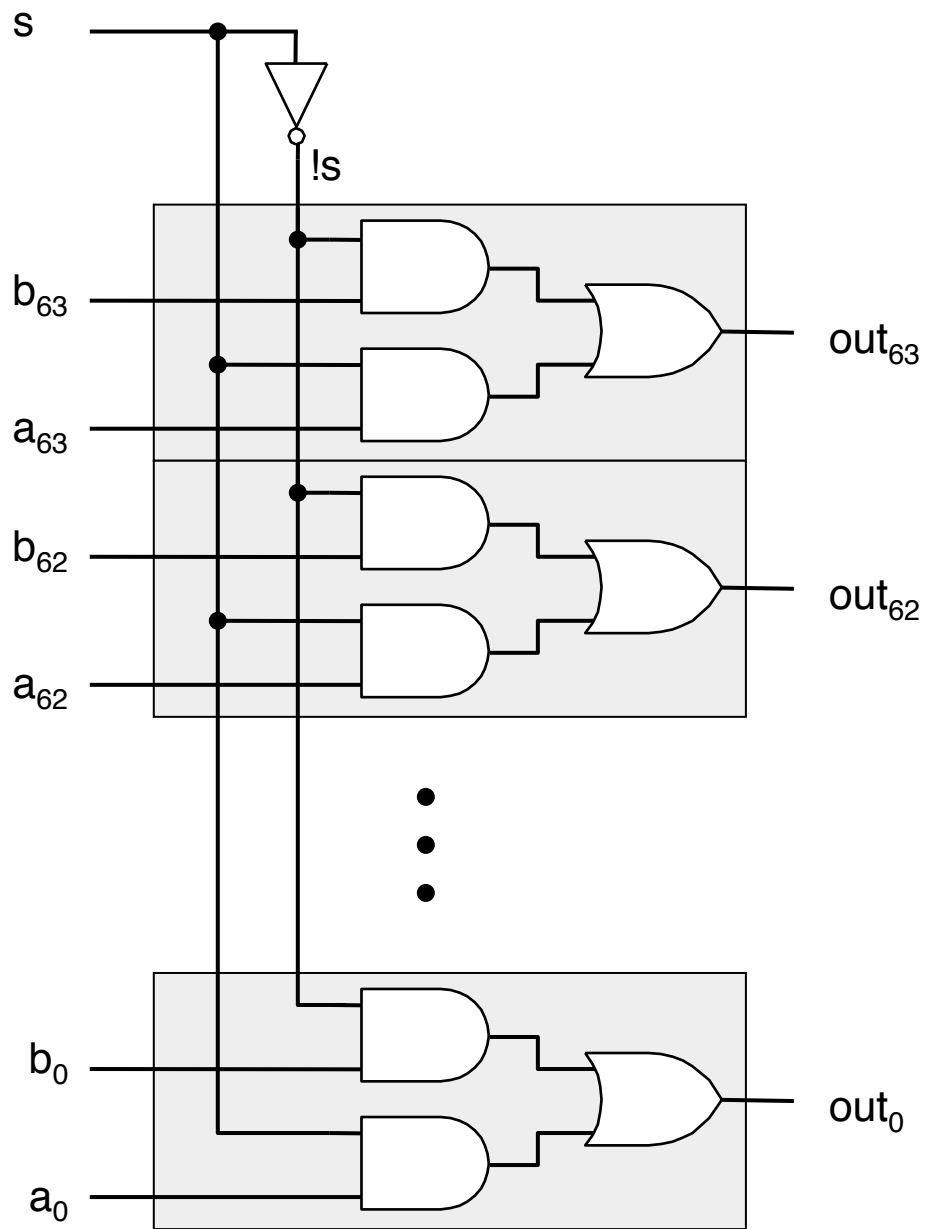
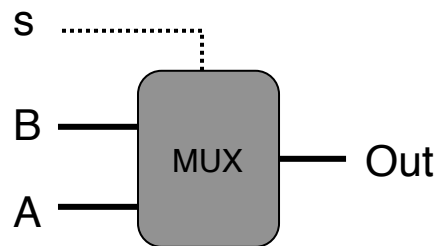


A). Bit-level implementation



B). Word-level abstraction



```
int Out = [  
    s : A;  
    1 : B;  
];
```